



SB-31 Series

PUSH SWITCH



SB-31A



SB-31A



SB-31D



SB-31D

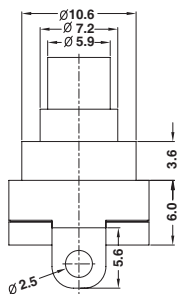
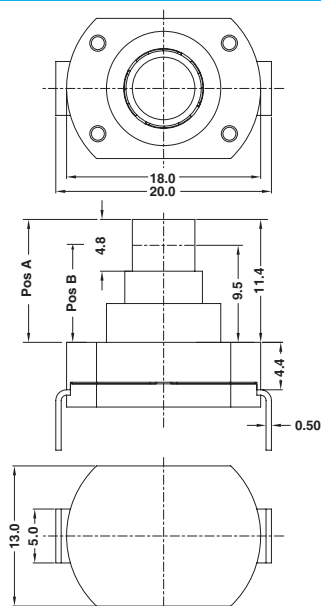
Specification:

3A	250VAC	T85	
6(3)A	250VAC	T85	5E4
10(3)A	250VAC	T85	

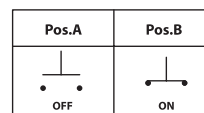


3A	250VAC	T105
6A	125VAC	

7.5A	250VAC	T105
15A	125VAC	



CIRCUIT DIAGRAM



SB-31

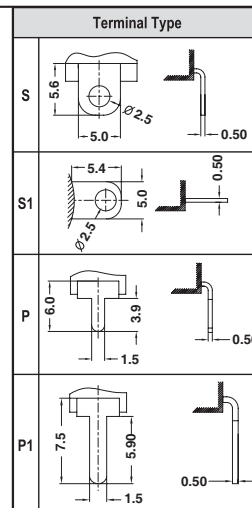
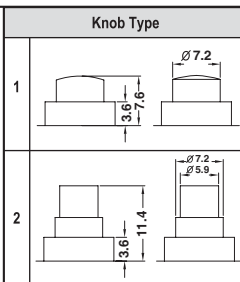
A — S — BK — BK — 2 — S

Function
A ON-OFF w/lock
D (ON)-OFF

Current
S 3A 250VAC
6A 125VAC
H 10(3)A 250VAC
6(3)A 250VAC 5E4
15A 125VAC

Base Color
BK Black

Knob Color
BK Black



Internal Use Only