

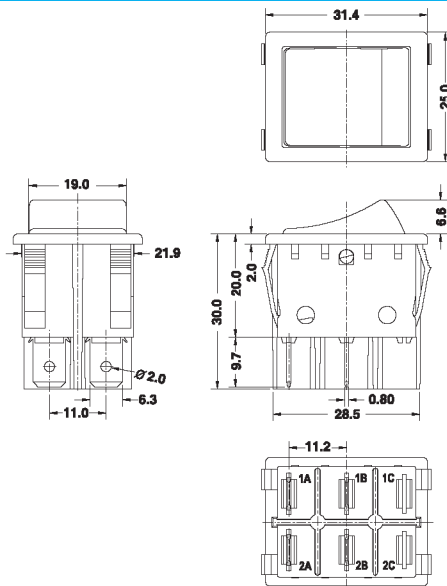


# SR-13 Series

## ROCKER SWITCH

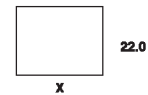


Specification:						<table border="0"> <tr> <td>16A</td> <td>250VAC</td> <td>T105</td> </tr> <tr> <td>10A</td> <td>250VAC</td> <td>T105</td> </tr> <tr> <td>16A</td> <td>125VAC</td> <td>T105</td> </tr> <tr> <td>1HP</td> <td>250VAC</td> <td>T105</td> </tr> <tr> <td>1/2HP</td> <td>250VAC</td> <td>T105</td> </tr> <tr> <td>1/2HP</td> <td>125VAC</td> <td>T105</td> </tr> <tr> <td>1/4HP</td> <td>125VAC</td> <td>T105</td> </tr> </table>	16A	250VAC	T105	10A	250VAC	T105	16A	125VAC	T105	1HP	250VAC	T105	1/2HP	250VAC	T105	1/2HP	125VAC	T105	1/4HP	125VAC	T105	  E199326
16A	250VAC	T105																										
10A	250VAC	T105																										
16A	125VAC	T105																										
1HP	250VAC	T105																										
1/2HP	250VAC	T105																										
1/2HP	125VAC	T105																										
1/4HP	125VAC	T105																										
8(8)A	250VAC	T105/55	5E4																									
10(4)A	250VAC	T105/55	5E4																									
16(8)A	250VAC	T105/55																										



### Suggested panel hole size

Panel thickness	x
1.0-1.5	30.2
1.5-2.0	30.5
2.0-3.0	30.8



### SR-13

N		2		H		T		1		BK		RE		2		2		1		4		Internal Use Only	
Function	No. of Poles	Current		Terminal Type		Base Type		Base Color	Button Color	Button Type	Printing	Color of Printing	Lamp Voltage										
A ON-OFF	1 Single	H 16(8)A 250VAC		T		1		BK Black	BK Black	1	0 None	0 None	0 None										
B ON-ON	2 Double	10(4)A 250VAC 5E4		T		1		WT White	WT White	1	1	1 White	1 12V										
C ON-OFF-ON		8(8)A 250VAC 5E4		T		1		GE Grey	GE Grey	2	2	2 Black	2 24V										
D (ON)-OFF		16A 125VAC		T1		2		RE Red	RE Red	2	3	3 Red	3 110V										
E ON-(OFF)		1/2HP 125VAC		T		2		GR Green	GR Green	3	4	4 Blue	4 220V										
F ON-(ON)		1HP 250VAC		Q		3		BL Blue	BL Blue	3	5	5 Yellow											
M ON-OFF-(ON)		L 16(8)A 250VAC						OR Orange	OR Orange	1	6												
X (ON)-OFF-(ON)		16A 125VAC						YE Yellow	AM Amber	1	7												
N ON-OFF w/lamp		1/4HP 125VAC						YE Yellow	YE Yellow	1	8												
P ON-OFF w/lamp (Switched neutral)		1/2HP 250VAC										9											
I Indicator												A											