



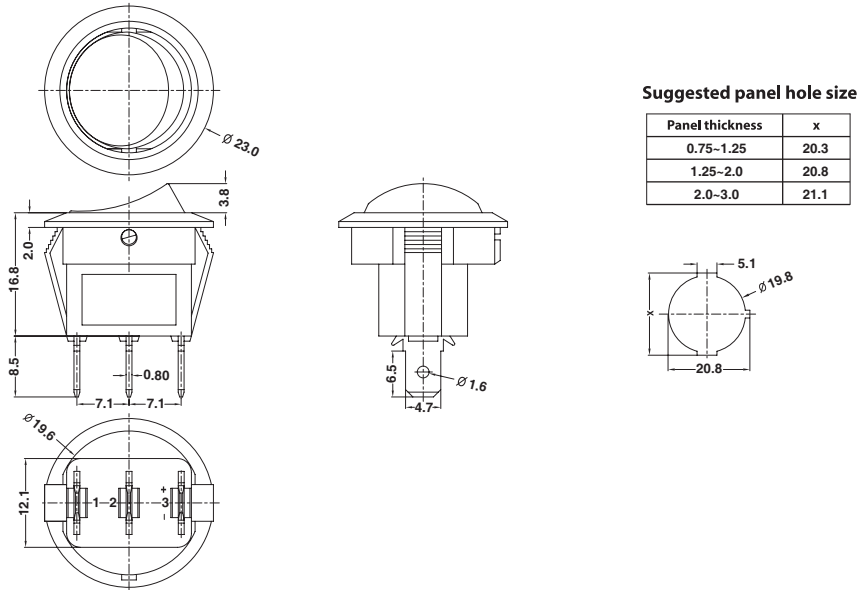
# SR-06NR Series

## ROCKER SWITCH



### Specification:

6(3)A	250VAC	T85	5E4		6.5A	250VAC	T125	 E199326	 1380243
6(6)A	250VAC	T85	5E4		13A	125VAC	T125		
6.5A	250VAC	T85	T125/55						
8A	250VAC	T85	T125/55						
10(3)A	250VAC	T85	T105/55		8A	250VAC	T125		
10(8)A	250VAC	T85			16A	125VAC			
13A	250VAC	T85	15E3						



### SR-06NR

N		M		Q		BK		RE		2		0		0		4		00		Internal Use Only	
Function	Current	Terminal Type				Base Color		Button Color		Button Type	Printing	Color of Printing		Lamp Voltage		Small Len Color					
A ON-OFF	M 6.5A 250VAC	Q			BK Black	BK Black	2	 (Matte Surface) (For N function only)	0	None	0	None	0	None	00	None					
B ON-ON	13A 125VAC				WT White	WT White	1		1	White	1	12V	RE	Red							
C ON-OFF-ON	L 13A 250VAC	Q1			GE Grey	GE Grey	4	 (Except function N)	2		2	Black	2	24V	GR	Green					
D (ON)-OFF	16A 125VAC				RE Red	RE Red	3		3	Red	3	110V	BL	Blue							
E ON-(OFF)	H2 8A 250VAC	S			GR Green	GR Green	5	 (Glossy Surface) (For N function only)	4		4	Blue	4	220V	AM	Amber					
F ON-(ON)	10(3)A 250VAC				BL Blue	BL Blue			5		5	Yellow	5	2V							
M ON-OFF-(ON)	13A 125VAC	P6			OR Orange	OR Orange	6	 (Glossy Surface) (For N function only)	6		6		6	6V							
X (ON)-OFF-(ON)	H3 10(8)A 250VAC				YE Yellow	AM Amber			7		7		7	36V							
N ON-OFF w/lamp (Unswitched neutral)	6(3)A 250VAC 5E4	H4			YE Yellow	AM Amber	6	 (Glossy Surface) (For N function only)	8		8		8	48V							
	16A 125VAC								9		9										
Y ON-OFF w/LED lamp	6(6)A 250VAC 5E4	H4			YE Yellow	AM Amber	6	 (Glossy Surface) (For N function only)	A		A										
	16A 125VAC								B		B										
I Indicator							R	 (For N function only)	C		C										
							R	 (For N function only)	D		D										
								I	 (For I function only)	E		E									