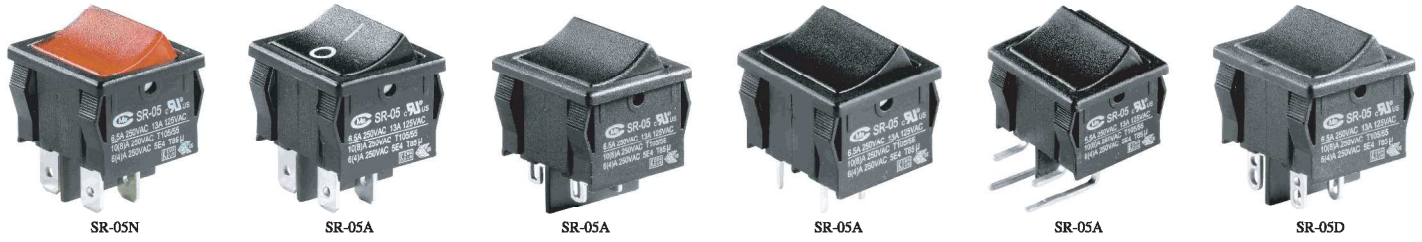




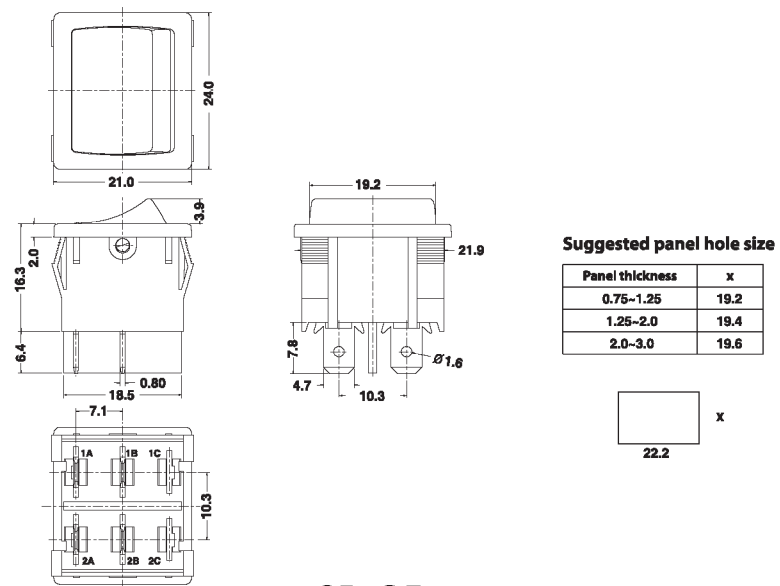
# SR-05 Series

## ROCKER SWITCH



### Specification:

3(1)A	250VAC	T85	1E4		3A	250VAC	T105	
10(4)A	250VAC	T105/55	1E4		6A	125VAC	T105	
6(4)A	250VAC	T85	5E4		6.5A	250VAC	T105	
10(8)A	250VAC	T105/55	1E4		13A	125VAC	T105	
					8A	250VAC	T105	
					16A	125VAC	T105	
				1/2HP	250VAC	T105		
				1/4HP	125VAC	T105		



### SR-05—

Function	No. of Poles	Current	Terminal Type	Base Color	Button Color	Button Type	Printing	Color of Printing	Lamp Voltage	Internal Use Only
A ON-OFF	1 Single	S 3(1)A 250VAC	Q	BK Black	BK Black	1 (Except function N)	0 None	0 None	0 None	<div style="border: 1px solid black; padding: 5px;"> <p><b>Internal Use Only</b></p> </div>
B ON-ON	2 Double	3A 250VAC 6A 125VAC	Q	WT White	WT White	1	1	1 White	1 12V	
C ON-OFF-ON		M 10(4)A 250VAC	Q1	GE Grey	GE Grey	2 (For N function only)	2	2 Black	2 24V	
D (ON)-OFF		6.5A 250VAC	Q1	RE Red	RE Red	2	3	3 Red	3 110V	
E ON-(OFF)		13A 125VAC	Q1	GR Green	GR Green	2	4	4 Blue	4 220V	
F ON-(ON)		L 10(8)A 250VAC	Q1	BL Blue	BL Blue	2	5	5 Yellow		
M ON-OFF-(ON)		6(4)A 250VAC 5E4	S	OR Orange	OR Orange	2	8			
N ON-OFF w/lamp		16A 125VAC	S	YE Yellow	AM Amber	2	9			
X (ON)-OFF-(ON)		1/2HP 250VAC 1/4HP 125VAC	S	YE Yellow	YE Yellow	2	A			
			S1							
			P1							
			P3							