



SR-03 Series

ROCKER SWITCH



SR-03P



SR-03A



SR-03A



SR-03P



SR-03P

Specification:

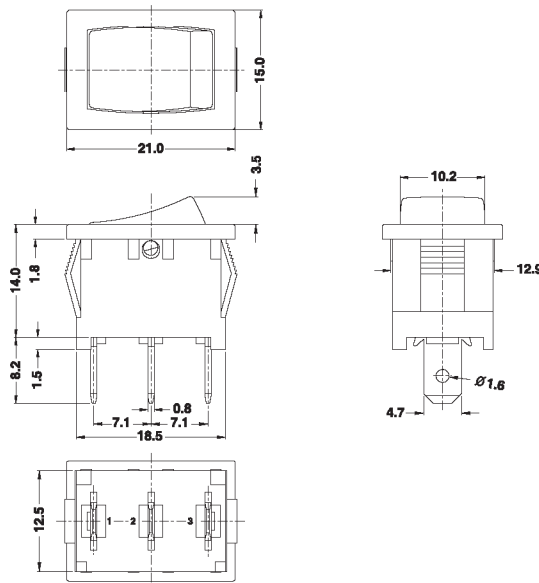
10(8)A 250VAC T85 T105/55

6(4)A 250VAC T85 T105/55 5E4



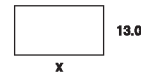
10A 250VAC T105
16A 125VAC

1/2HP 250VAC
1/4HP 125VAC



Suggested panel hole size

Panel thickness	x
0.75-1.25	19.2
1.25-2.0	19.4
2.0-3.0	19.6



SR-03

Function	Current	Terminal Type	Base Color	Button Color	Button Type	Printing	Color of Printing	Lamp Voltage	Internal Use Only
A ON-OFF	L 10(8)A 250VAC	Q	BK Black	BK Black	2	0 None	0 None	0 None	
P ON-OFF w/lamp (Switched neutral)	16A 125VAC	Q1	WT White	WT White		1	1 White	3 110V	
	H 10(8)A 250VAC		GE Grey	GE Grey		2	2 Black	4 220V	
	6(4)A 250VAC 5E4	S	RE Red	RE Red		3	3 Red		
	16A 125VAC		GR Green	GR Green		4	4 Blue		
	1/2HP 250VAC		BL Blue	BL Blue		5	5 Yellow		
	1/4HP 125VAC		OR Orange	OR Orange		8			
			YE Yellow	AM Amber		9			
				YE Yellow		A			
						B			