

SERIES 48 ELECTRO-MECHANICAL



Flex-Tech Miniature Sealed Pushbutton Switches

This rugged multi-option sealed pushbutton series offers the utmost in choices for mounting style, colors, terminations, bezels, lighting and momentary or alternate-action switching. The Series 48 offers all these options in one compact package size.

KEY FEATURES:

- Momentary or maintained action
- Gold contacts
- Many button colors
- Choice of LED colors (or non-lighted versions)
- Long life
- Solder or PC terminals
- Panel sealed to IP 67

APPLICATIONS

- Office equipment
- Medical equipment
- Industrial machinery
- Outdoor controls
- Mass transportation
- Food processing equipment

ORDERING INFORMATION:

Switch Function	Switch Termination	Module Type	Bezel Type	LED Color	Button Color	Mounting Type
Momentary	Solder Tabs	48-1	RB - Round, Black	N - None	RD - Red	B - Bushing
Maintained	Solder Tabs	48-2	SB - Square, Black	R - Red	GR - Green	S - Snap-fit
Momentary	PC	48-5	RC - Round, Chrome	G - Green	BK - Black	
Maintained	PC	48-6	SC - Square, Chrome	Y - Yellow	BL - Blue	
				A - Amber	YL - Yellow	
				B - Blue	OR - Orange	
				W - White	CR - Chrome	

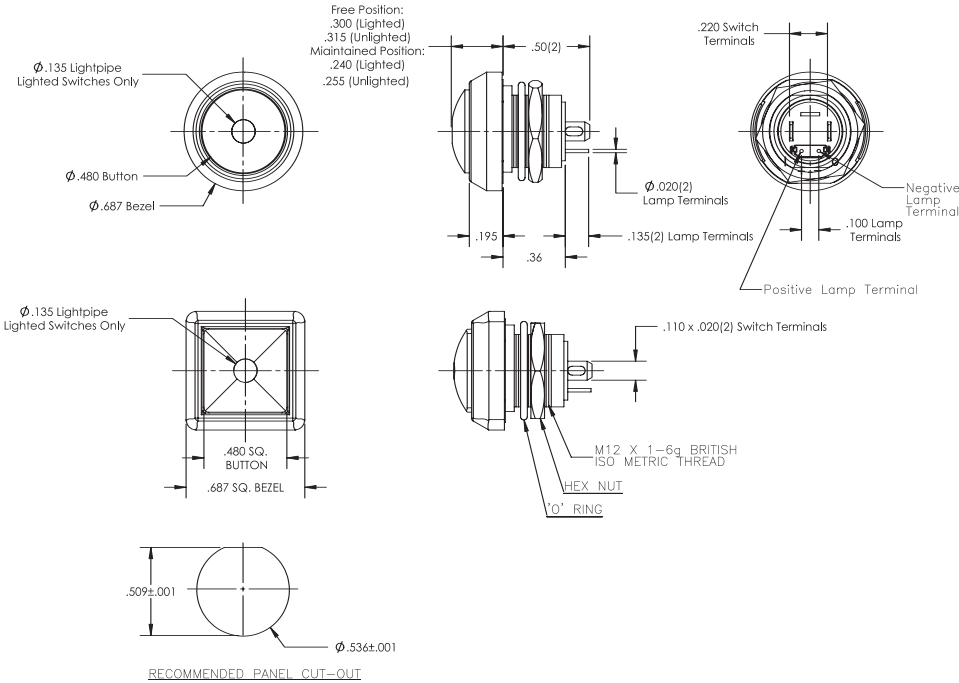
48-X |
 -XX |
 -X |
 -XX |
 -X

STANDARDS / AGENCY / RATINGS:

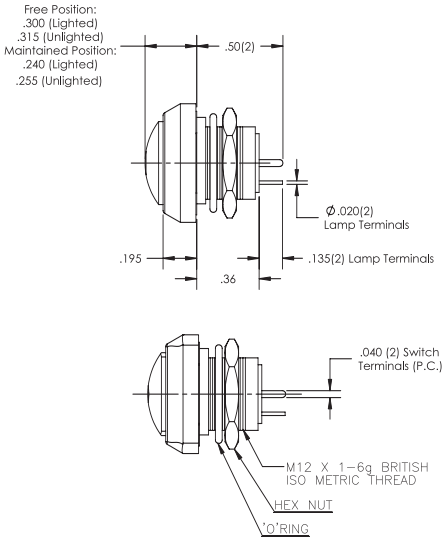


SERIES 48—FLEX-TECH MINIATURE SEALED PUSHBUTTON

SOLDER TAB TERMINALS



PC TERMINALS



MECHANICAL / ELECTRICAL CHARACTERISTICS:

- Circuit:**
SPST-NO-DB
- Button travel (nominal):**
.09/2.3 mm
- Life (mechanical):**
1,000,000 cycles max (momentary)
100,000 cycles max (maintained)
- Operating force (nominal):**
3N/306g
- Contact bounce (nominal):**
1 ms
- Panel thickness:**
.02 - .12 / 1.5-3mm
- Temperature index:**
-40°F to + 185°F
- Current ratings:**
400mA, 32 VAC Res.
100 mA, 50 VDC Res.
125mA, 125 VAC Res.
- Dielectric strength:**
1,000 VAC
- Insulation resistance:**
1G OHM
- Contact resistance:**
50m OHMS



7301 W. Ainslie Street
Harwood Heights, IL 60706
800.544.3354
708.667.3370
708.667.3440 (Fax)

www.itwswitches.com
customer_service@itwswitches.com