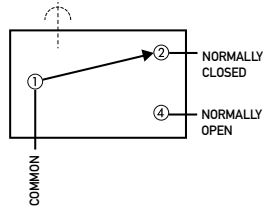


# XG

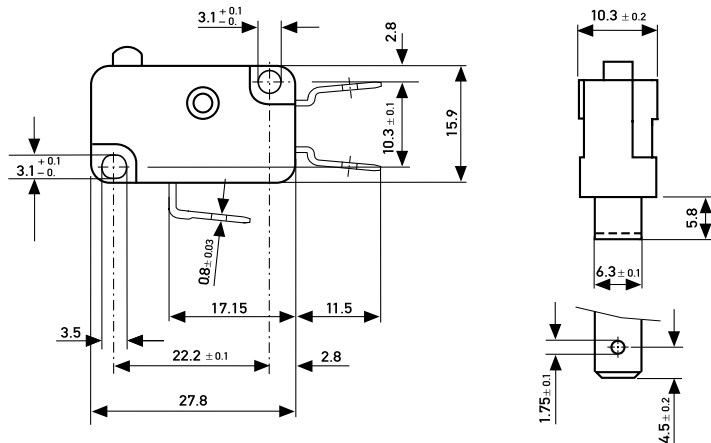
## Specifications

|                      |  |
|----------------------|--|
| Housing              | Melamine-Formaldehyd. Thermosetting  |
| Plunger              | POM for T85, PBT for T125, PPS for T150  |
| Mechanism            | Snap-action, single pole beryllium bronze blade mechanism with wiping contacts   |
| Functions            | Change-over, normally-closed (except XGG and XGK) or normally-open   |
| Contacts             | Fine silver (Ag), silver nickel (AgNi10), gold-plated (Au), silver cadmium oxide (AgCdO)   |
| Terminals            | Solder, faston, screw, PCB and side mounting PCB terminals. RAST 5 terminals (5.0 mm pitch)  |
| Temperature range °C | -40° C to +150° C  |
| Mechanical life      | 2.5 · 10 <sup>5</sup> cycles minimum, 50 · 10 <sup>6</sup> cycles maximum<br>(Actuation: sinusoidal and maximum up to 80% of the overtravel) |
| Protection           | Enclosure IP40   |
| Mounting             | Side mounting via mounting holes   |
| Actuators            | Stainless steel  |

Circuit diagram



Dimensions



## Recommended maximum electrical ratings

|           | Voltage (VAC) | Approvals ENEC | UL   | (VAC)   |          | Voltage (VAC) | Approvals ENEC | UL  | (VAC)   |
|-----------|---------------|----------------|------|---------|----------|---------------|----------------|-----|---------|
| XGG..-88  | 250           | 16 (6) 5E4     | 15 A | 125/250 | XGT..-86 | 250           | 26 (10) 25E3   | 25A | 125/250 |
| XGA..-88  | 250           | 16 (6) 5E4     | 15 A | 125/250 | XGD..-86 | 250           | 22 (6) 5E4     | 21A | 125/250 |
| XGM..-88  | 250           | 16 (6) 5E4     | 15 A | 125/250 | XGA..-86 | 250           | 20 (8) 5E4     | 15A | 125/250 |
| XGO..-88  | 250           | 16 (6) 5E4     | 15 A | 125/250 | XGM..-86 | 250           | 20 (8) 5E4     | 15A | 125/250 |
| XGB..-88  | 250           | 12 (6) 5E4     | 12 A | 125/250 | XGO..-86 | 250           | 20 (8) 5E4     | 15A | 125/250 |
| XGC..-88  | 250           | 12 (6) 5E4     | 10 A | 125/250 | XGA..-86 | 400           | 10 (6) 5E4     | -   | -       |
| XGH..-88  | 250           | 12 (6) 5E4     | 10 A | 125/250 | XGG..-86 | 400           | 10 (6) 5E4     | -   | -       |
| XGK..-88  | 250           | 12 (6) 5E4     | 12 A | 125/250 | XGM..-86 | 400           | 10 (6) 5E4     | -   | -       |
| XG....-88 | 400           | 3 (2) 5E4      |      |         | XGO..-86 | 400           | 10 (6) 5E4     | -   | -       |

Operating Characteristics

| Actuator                       | Reference                      | Actuating Force |       | Release Force |       | Free Position Maximum |      | Operating Position |              | Movement Differential Maximum |       | Total travelled position |       |       |
|--------------------------------|--------------------------------|-----------------|-------|---------------|-------|-----------------------|------|--------------------|--------------|-------------------------------|-------|--------------------------|-------|-------|
|                                |                                | (N)             | (ozf) | (N)           | (ozf) | (mm)                  | (in) | (mm)               | (in)         | (mm)                          | (in)  | (mm)                     | (in)  |       |
|                                | XGG..                          | 3.2             | 11.43 | 0.4           | 1.43  | 15.75                 | 0.62 | 14.7               | 0.57         | 0.35                          | 0.013 | 13.2                     | 0.519 |       |
|                                | XGA..                          | 3.2             | 11.43 | 0.6           | 2.14  | 15.75                 | 0.62 | 14.7               | 0.57         | 0.15                          | 0.006 | 13.2                     | 0.519 |       |
|                                | XGM..                          | 2               | 7.14  | 0.5           | 1.79  | 15.6                  | 0.61 | 14.5               | 0.57         | 0.35                          | 0.013 | 13.7                     | 0.539 |       |
|                                | XGO..                          | 1.2             | 4.29  | 0.1           | 0.36  | 15.6                  | 0.61 | 14.5               | 0.57         | 0.35                          | 0.013 | 13.7                     | 0.539 |       |
|                                | XGK..                          | 1.5             | 5.36  | 0.2           | 0.71  | 15.75                 | 0.62 | 14.7               | +0.2<br>-0.4 | 0.35                          | 0.013 | 13.2                     | 0.519 |       |
|                                | XGB..                          | 1.5             | 5.36  | 0.3           | 1.07  | 15.75                 | 0.62 | 14.7               | 0.57         | +0.007<br>-0.015              | 0.15  | 0.006                    | 13.2  | 0.519 |
|                                | XGC..                          | 0.8             | 2.86  | 0.1           | 0.36  | 15.75                 | 0.62 | 14.7               | 0.57         | 0.15                          | 0.006 | 13.2                     | 0.519 |       |
|                                | XGH..                          | 0.45            | 1.61  | 0.05          | 0.18  | 15.6                  | 0.61 | 14.5               | 0.57         | 0.35                          | 0.013 | 13.7                     | 0.539 |       |
|                                | XGT..                          | 3.2             | 11.43 | 0.6           | 2.14  | 15.75                 | 0.62 | 14.7               | 0.57         | 0.15                          | 0.006 | 13.2                     | 0.519 |       |
|                                | XGD..                          | 1.7             | 6.07  | 0.15          | 0.54  | 15.75                 | 0.62 | 14.7               | 0.57         | 0.15                          | 0.006 | 13.2                     | 0.519 |       |
|                                | XGG..                          | 3.2             | 11.43 | 0.36          | 1.29  | 16.5                  | 0.64 | 15.1 ± 0.5         | 0.59 ± 0.019 | 0.4                           | 0.015 | 14                       | 0.551 |       |
|                                | XGA..                          | 3.2             | 11.43 | 0.54          | 1.93  | 16.5                  | 0.64 | 15.1 ± 0.5         | 0.59 ± 0.019 | 0.2                           | 0.007 | 14                       | 0.551 |       |
|                                | XGM..                          | 2               | 7.14  | 0.45          | 1.61  | 16.5                  | 0.64 | 15 ± 0.5           | 0.59 ± 0.019 | 0.4                           | 0.015 | 14.4                     | 0.566 |       |
|                                | XGO..                          | 1.2             | 4.29  | 0.09          | 0.34  | 16.5                  | 0.64 | 15 ± 0.5           | 0.59 ± 0.019 | 0.4                           | 0.015 | 14.4                     | 0.566 |       |
|                                | XGK..                          | 1.5             | 5.36  | 0.18          | 0.64  | 16.5                  | 0.64 | 15.1 ± 0.5         | 0.59 ± 0.019 | 0.4                           | 0.015 | 14                       | 0.551 |       |
|                                | XGB..                          | 1.5             | 5.36  | 0.27          | 0.96  | 16.5                  | 0.64 | 15.1 ± 0.5         | 0.59 ± 0.019 | 0.2                           | 0.007 | 14                       | 0.551 |       |
|                                | XGC..                          | 0.8             | 2.86  | 0.09          | 0.32  | 16.5                  | 0.64 | 15.1 ± 0.5         | 0.59 ± 0.019 | 0.2                           | 0.007 | 14                       | 0.551 |       |
|                                | XGH..                          | 0.45            | 1.61  | 0.04          | 0.14  | 16.5                  | 0.64 | 15 ± 0.5           | 0.59 ± 0.019 | 0.4                           | 0.015 | 14.4                     | 0.566 |       |
|                                | Width of lever 7 mm/0.28 in    |                 |       |               |       |                       |      |                    |              |                               |       |                          |       |       |
|                                |                                | XGG..           | 2.6   | 9.29          | 0.32  | 1.14                  | 19.2 | 0.75               | 17.5 ± 0.7   | 0.68 ± 0.027                  | 0.45  | 0.017                    | 16.4  | 0.645 |
| XGA..                          |                                | 2.6             | 9.29  | 0.48          | 1.71  | 19.2                  | 0.75 | 17.5 ± 0.7         | 0.68 ± 0.027 | 0.2                           | 0.007 | 16.4                     | 0.645 |       |
| XGM..                          |                                | 1.65            | 5.89  | 0.4           | 1.43  | 19.2                  | 0.75 | 17.3 ± 0.7         | 0.68 ± 0.027 | 0.45                          | 0.017 | 16.9                     | 0.665 |       |
| XGO..                          |                                | 1               | 3.57  | 0.08          | 0.29  | 19.2                  | 0.75 | 17.3 ± 0.7         | 0.68 ± 0.027 | 0.45                          | 0.017 | 16.9                     | 0.665 |       |
| XGK..                          |                                | 1.25            | 4.46  | 0.16          | 0.57  | 19.2                  | 0.75 | 17.5 ± 0.7         | 0.68 ± 0.027 | 0.45                          | 0.017 | 16.4                     | 0.645 |       |
| XGB..                          |                                | 1.25            | 4.46  | 0.24          | 0.86  | 19.2                  | 0.75 | 17.5 ± 0.7         | 0.68 ± 0.027 | 0.2                           | 0.007 | 16.4                     | 0.645 |       |
| XGC..                          |                                | 0.65            | 2.32  | 0.08          | 1.29  | 19.2                  | 0.75 | 17.5 ± 0.7         | 0.68 ± 0.027 | 0.2                           | 0.007 | 16.4                     | 0.645 |       |
| XGH..                          |                                | 1.37            | 1.32  | 0.04          | 0.14  | 19.2                  | 0.75 | 17.3 ± 0.7         | 0.68 ± 0.027 | 0.45                          | 0.017 | 16.9                     | 0.665 |       |
| Width of lever 7 mm/0.28 in    |                                |                 |       |               |       |                       |      |                    |              |                               |       |                          |       |       |
|                                |                                | XGG..           | 3.2   | 11.43         | 0.38  | 1.36                  | 21.8 | 0.85               | 20.5 ± 0.6   | 0.81 ± 0.023                  | 0.4   | 0.015                    | 19.5  | 0.767 |
|                                | XGA..                          | 3.2             | 11.43 | 0.85          | 3.04  | 21.8                  | 0.85 | 20.5 ± 0.6         | 0.81 ± 0.023 | 0.2                           | 0.007 | 19.5                     | 0.767 |       |
|                                | XGM..                          | 2               | 7.14  | 0.48          | 1.71  | 21.8                  | 0.85 | 20.3 ± 0.6         | 0.8 ± 0.023  | 0.4                           | 0.015 | 19.8                     | 0.779 |       |
|                                | XGO..                          | 1.2             | 4.29  | 0.09          | 0.32  | 21.8                  | 0.85 | 20.1 ± 0.6         | 0.79 ± 0.023 | 0.4                           | 0.015 | 19.8                     | 0.779 |       |
|                                | XGK..                          | 1.5             | 5.36  | 0.19          | 0.68  | 21.8                  | 0.85 | 20.5 ± 0.6         | 0.81 ± 0.023 | 0.4                           | 0.015 | 19.5                     | 0.767 |       |
|                                | XGB..                          | 1.5             | 5.36  | 0.29          | 1.04  | 21.8                  | 0.85 | 20.5 ± 0.6         | 0.81 ± 0.023 | 0.2                           | 0.007 | 19.5                     | 0.767 |       |
|                                | XGC..                          | 0.8             | 2.86  | 0.09          | 0.32  | 21.8                  | 0.85 | 20.5 ± 0.6         | 0.81 ± 0.023 | 0.2                           | 0.007 | 19.5                     | 0.767 |       |
|                                | XGH..                          | 0.45            | 1.61  | 0.04          | 0.14  | 21.8                  | 0.85 | 20.3 ± 0.6         | 0.8 ± 0.023  | 0.4                           | 0.015 | 19.8                     | 0.779 |       |
|                                | Width of lever 7 mm/0.28 in    |                 |       |               |       |                       |      |                    |              |                               |       |                          |       |       |
|                                |                                | XGG..           | 3.2   | 11.43         | 0.37  | 1.32                  | 21.8 | 0.85               | 20.2 ± 0.7   | 0.79 ± 0.027                  | 0.4   | 0.015                    | 19.3  | 0.759 |
| XGA..                          |                                | 3.2             | 11.43 | 0.56          | 2     | 21.8                  | 0.85 | 20.2 ± 0.7         | 0.79 ± 0.027 | 0.2                           | 0.007 | 19.3                     | 0.759 |       |
| XGM..                          |                                | 2               | 7.14  | 0.47          | 1.68  | 21.8                  | 0.85 | 20.1 ± 0.7         | 0.79 ± 0.027 | 0.4                           | 0.015 | 19.7                     | 0.775 |       |
| XGO..                          |                                | 1.2             | 4.29  | 0.09          | 0.32  | 21.8                  | 0.85 | 20.1 ± 0.7         | 0.79 ± 0.027 | 0.4                           | 0.015 | 19.7                     | 0.775 |       |
| XGK..                          |                                | 1.5             | 5.36  | 0.18          | 0.64  | 21.8                  | 0.85 | 20.2 ± 0.7         | 0.79 ± 0.027 | 0.4                           | 0.015 | 19.3                     | 0.759 |       |
| XGB..                          |                                | 1.5             | 5.36  | 0.28          | 1     | 21.8                  | 0.85 | 20.2 ± 0.7         | 0.79 ± 0.027 | 0.2                           | 0.007 | 19.3                     | 0.759 |       |
| XGC..                          |                                | 0.8             | 2.86  | 0.09          | 0.32  | 21.8                  | 0.85 | 20.2 ± 0.7         | 0.79 ± 0.027 | 0.2                           | 0.007 | 19.3                     | 0.759 |       |
| XGH..                          |                                | 0.45            | 1.61  | 0.04          | 0.14  | 21.8                  | 0.85 | 20.1 ± 0.7         | 0.79 ± 0.027 | 0.4                           | 0.015 | 19.7                     | 0.775 |       |
| Width of roller 6.6 mm/0.26 in |                                |                 |       |               |       |                       |      |                    |              |                               |       |                          |       |       |
|                                |                                | XGG..           | 3.2   | 11.43         | 0.37  | 1.32                  | 21.8 | 0.85               | 20.2 ± 0.7   | 0.79 ± 0.027                  | 0.4   | 0.015                    | 19.3  | 0.759 |
|                                | XGA..                          | 3.2             | 11.43 | 0.56          | 2     | 21.8                  | 0.85 | 20.2 ± 0.7         | 0.79 ± 0.027 | 0.2                           | 0.007 | 19.3                     | 0.759 |       |
|                                | XGM..                          | 2               | 7.14  | 0.05          | 1.68  | 21.8                  | 0.85 | 20.1 ± 0.7         | 0.79 ± 0.027 | 0.4                           | 0.015 | 19.7                     | 0.775 |       |
|                                | XGO..                          | 1.2             | 4.29  | 0.09          | 0.32  | 21.8                  | 0.85 | 20.1 ± 0.7         | 0.79 ± 0.027 | 0.4                           | 0.015 | 19.7                     | 0.775 |       |
|                                | XGK..                          | 1.5             | 5.36  | 0.18          | 0.64  | 21.8                  | 0.85 | 20.2 ± 0.7         | 0.79 ± 0.027 | 0.4                           | 0.015 | 19.3                     | 0.759 |       |
|                                | XGB..                          | 1.5             | 5.36  | 0.28          | 1     | 21.8                  | 0.85 | 20.2 ± 0.7         | 0.79 ± 0.027 | 0.2                           | 0.007 | 19.3                     | 0.759 |       |
|                                | XGC..                          | 0.8             | 2.86  | 0.09          | 0.32  | 21.8                  | 0.85 | 20.2 ± 0.7         | 0.79 ± 0.027 | 0.2                           | 0.007 | 19.3                     | 0.759 |       |
|                                | XGH..                          | 0.45            | 1.61  | 0.04          | 0.14  | 21.8                  | 0.85 | 20.1 ± 0.7         | 0.79 ± 0.027 | 0.4                           | 0.015 | 19.7                     | 0.775 |       |
|                                | Width of roller 6.6 mm/0.26 in |                 |       |               |       |                       |      |                    |              |                               |       |                          |       |       |

1) Lever distance 8.2 (0.32) for lever position -20, lever position (-J20, L20, S20, M20)  
Lever distance 14.0 (0.55) for lever position -40, lever position (-J40, L40, S40, M40)

\* For high temperature T125°C/T 150°C (ENEC, UL)